



Contact us 415-960-4853

sales@omexindustries.com

www.omexindustries.us

823-9264-150- Three-Phase Ventilated-USA-DOE

Product details	
KVA	150.00
Enclosure	NEMA 3R Ventilated
Phase	Three-Phase
Line Voltage	480V - DELTA
Load Voltage	208Y/120V
E/S Shielded	No
Windings	Aluminum
Temp.rise	150°C
Frequency	60Hz
Taps	2 - 2.5% FCAN; 4- 2.5% FCBN
Impedance at 170°C	6.15%
Total loss (75°C)	3250W
Regulation (full load)	PF 1.0=1.7% PF 0.8=4.8%
Insulation Class	220°C

Product details	
Efficiency Type	DOE-2016
Minimum Efficiency {35%}	98.83
Busbar Termination	Primary : AL Secondary : AL
Sound	50 dB Max
Approvals	UL, cUL, DOE

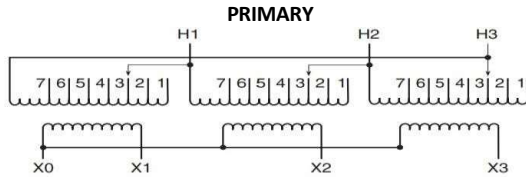
Weight & Dimensions (Imperial / Metric)		
A	43.00"	Contact us for exact measurements. Approx.
B	37.00"	
C	28.40"	
D	38"	
E	29"	
Est Ship Wt. approx.	1069.30 lbs.	485.00 Kg

Wiring Diagram

Primary : 480D Volts Delta

Secondary : 208Y/120 Volts

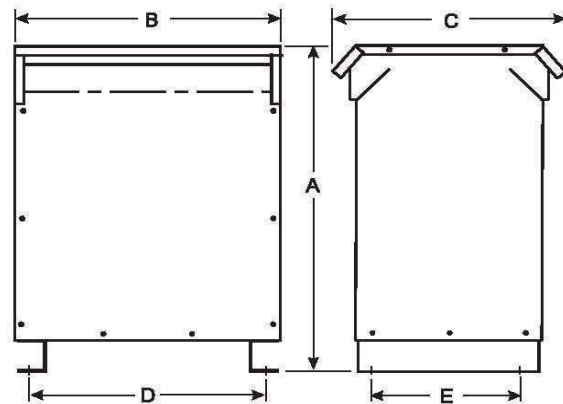
Vector Connection : Dyn1



SECONDARY

Connections

Spec	Design Volts	%VD	On Each Coil Jumper Taps To	Primary Lines Connect To
504	502	-0.43	1	H1, H2, H3
492	491	-0.22	2	H1, H2, H3
480	480	0.00	3	H1, H2, H3
468	469	0.23	4	H1, H2, H3
456	458	0.48	5	H1, H2, H3
444	442	-0.49	6	H1, H2, H3
432	431	-0.25	7	H1, H2, H3
Secondary Volts			Secondary Lines Connect To	
208			X1, X2, X3	
120 1 Phase			X1 to X0 X2 to X0 X3 to X0	



All specifications subjects to change. Contact Factory for certified drawings. © 2025 OMEX Industries LLC.